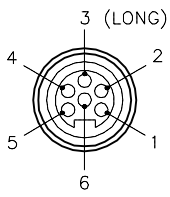
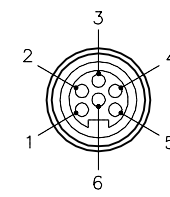
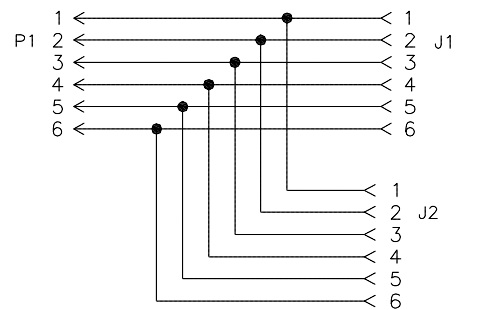
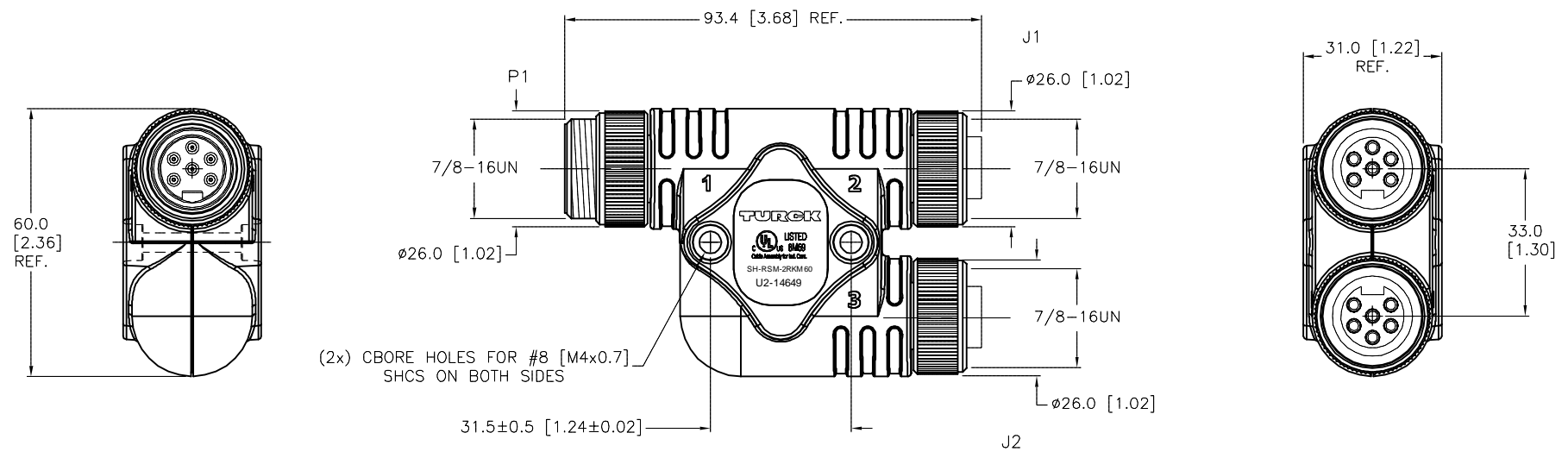
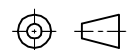


MALE END VIEW (P1)	FEMALE END VIEW (J1-J2)	WIRING DIAGRAM	SPECIFICATIONS																	
			<table border="1"> <tr><td>MOLDED BODY MATERIAL/COLOR</td><td>NYLON/BLACK</td></tr> <tr><td>CONTACT CARRIER MATERIAL/COLOR</td><td>TPU/BLACK</td></tr> <tr><td>CONTACT MATERIAL/PLATING</td><td>BRASS/GOLD</td></tr> <tr><td>COUPLING NUT MATERIAL/PLATING</td><td>BRASS/NICKEL</td></tr> <tr><td>RATED CURRENT [A]</td><td>8.0 A</td></tr> <tr><td>RATED VOLTAGE [V]</td><td>600 V</td></tr> <tr><td>TEMPERATURE RANGE</td><td>-40°C TO +105°C (-40°F TO +221°F)</td></tr> <tr><td>PROTECTION CLASS</td><td>MEETS NEMA 1,3,4,6P AND IEC IP67</td></tr> </table>	MOLDED BODY MATERIAL/COLOR	NYLON/BLACK	CONTACT CARRIER MATERIAL/COLOR	TPU/BLACK	CONTACT MATERIAL/PLATING	BRASS/GOLD	COUPLING NUT MATERIAL/PLATING	BRASS/NICKEL	RATED CURRENT [A]	8.0 A	RATED VOLTAGE [V]	600 V	TEMPERATURE RANGE	-40°C TO +105°C (-40°F TO +221°F)	PROTECTION CLASS	MEETS NEMA 1,3,4,6P AND IEC IP67	
MOLDED BODY MATERIAL/COLOR	NYLON/BLACK																			
CONTACT CARRIER MATERIAL/COLOR	TPU/BLACK																			
CONTACT MATERIAL/PLATING	BRASS/GOLD																			
COUPLING NUT MATERIAL/PLATING	BRASS/NICKEL																			
RATED CURRENT [A]	8.0 A																			
RATED VOLTAGE [V]	600 V																			
TEMPERATURE RANGE	-40°C TO +105°C (-40°F TO +221°F)																			
PROTECTION CLASS	MEETS NEMA 1,3,4,6P AND IEC IP67																			



SOURCE DRAWING - FOR REFERENCE ONLY

RELATED DOCUMENTS 1. 2. 3. 4.	3RD ANGLE PROJECTION 	THIS DRAWING IS CONFIDENTIAL AND THE PROPERTY OF TURCK INC. USE OF THIS DOCUMENT WITHOUT WRITTEN PERMISSION IS PROHIBITED.	<div style="text-align: right;"> <p>3000 CAMPUS DRIVE            MINNEAPOLIS, MN 55441            1-800-544-7769            (763) 553-7300            (763) 553-0708 fax            turck.com</p> </div> <div style="text-align: center;"> <p><b>TURCK INC</b>  <i>High Technology Sensors and Automation Controls</i></p> </div>	
MATERIAL  SEE SPECIFICATIONS	ALL DIMENSIONS DISPLAYED ON THIS DRAWING ARE FOR REFERENCE ONLY	DRFT RDS DATE 09/09/08 APVD SCALE 1=1.5	DESCRIPTION SH-RSM-2RKM 60 (1) (2,3)	
FINISH  SEE SPECIFICATIONS	CONTACT TURCK FOR MORE INFORMATION	UNIT OF MEASUREMENT <b>MILLIMETERS</b> DO NOT SCALE THIS DRAWING		IDENTIFICATION NO. U2-14649 REV C FILE: U2-14649 SHEET 1 OF 1

C	ADD UL APPROVAL TO LABEL	RDS	05/30/14	45883
REV	DESCRIPTION	BY	DATE	ECO NO.